

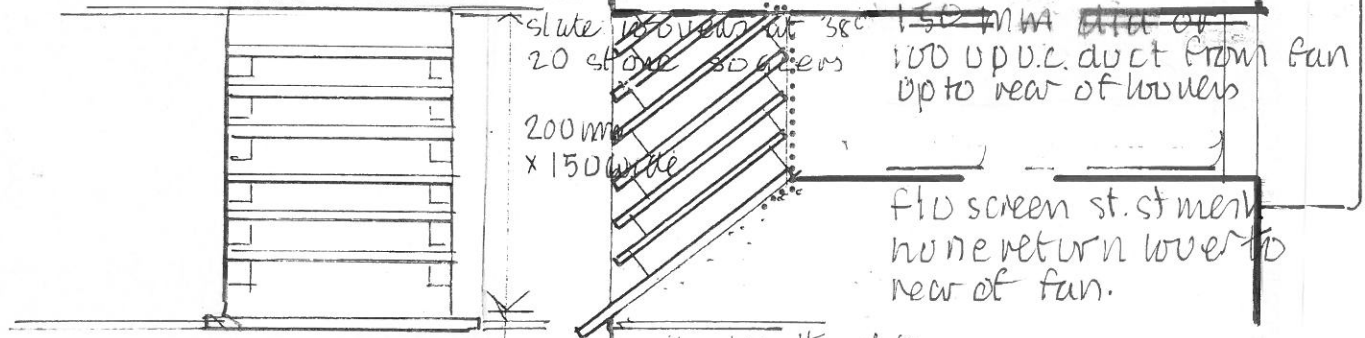
Prenton, St. Stephen; serverry & lavatories proposals Sept. '23 DWG no 7090.3.1

GRAHAM  
HOLLAND  
ASSOCIATES

Architects & Historic Buildings Consultants  
 Winnington Hall, Cheshire, CW8 4DU  
 tel: 01606 624626 fax: 01606 674002  
 mobile: 07885 224256  
 Plas Draw, Ruthin, Denbighshire LL15 1RT  
 tel: 01824 704709 fax: 01824 704912  
 email: info@grahamhollandassociates.co.uk

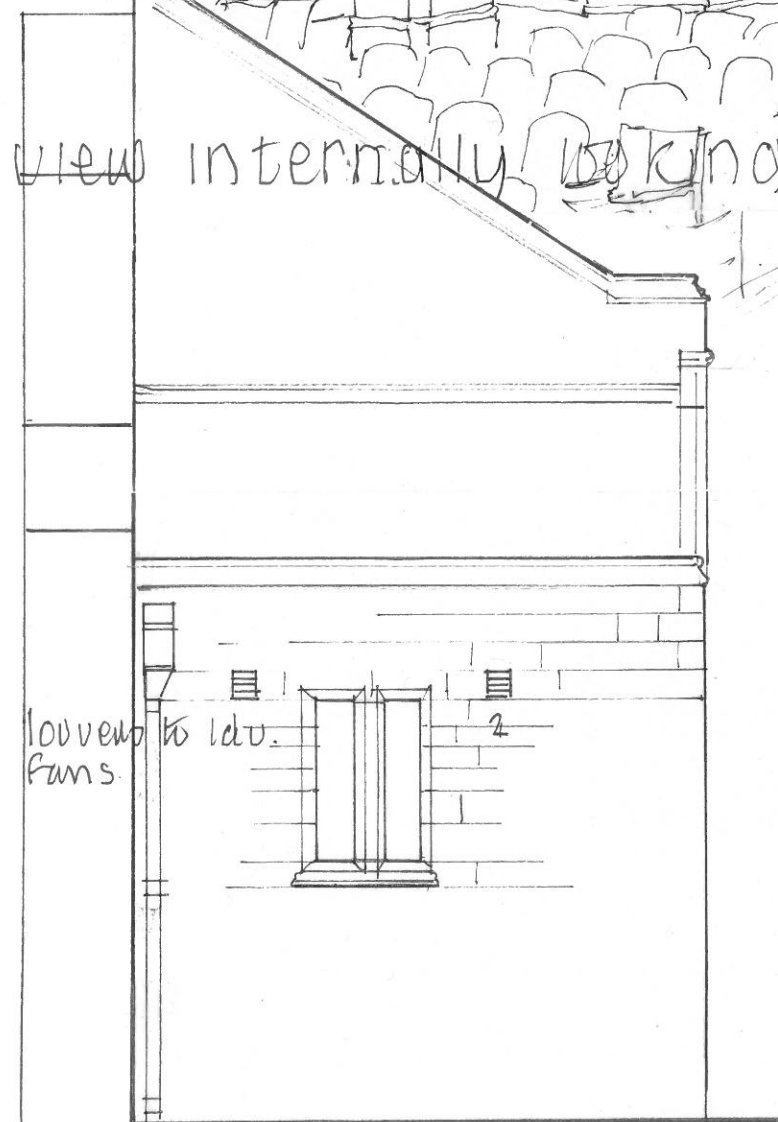


core-drill thro' wall with pilot-hole theme from externally & internally, square D.O. openings externally  
 to be lined up to exg. stone-joint lines in the ashlar

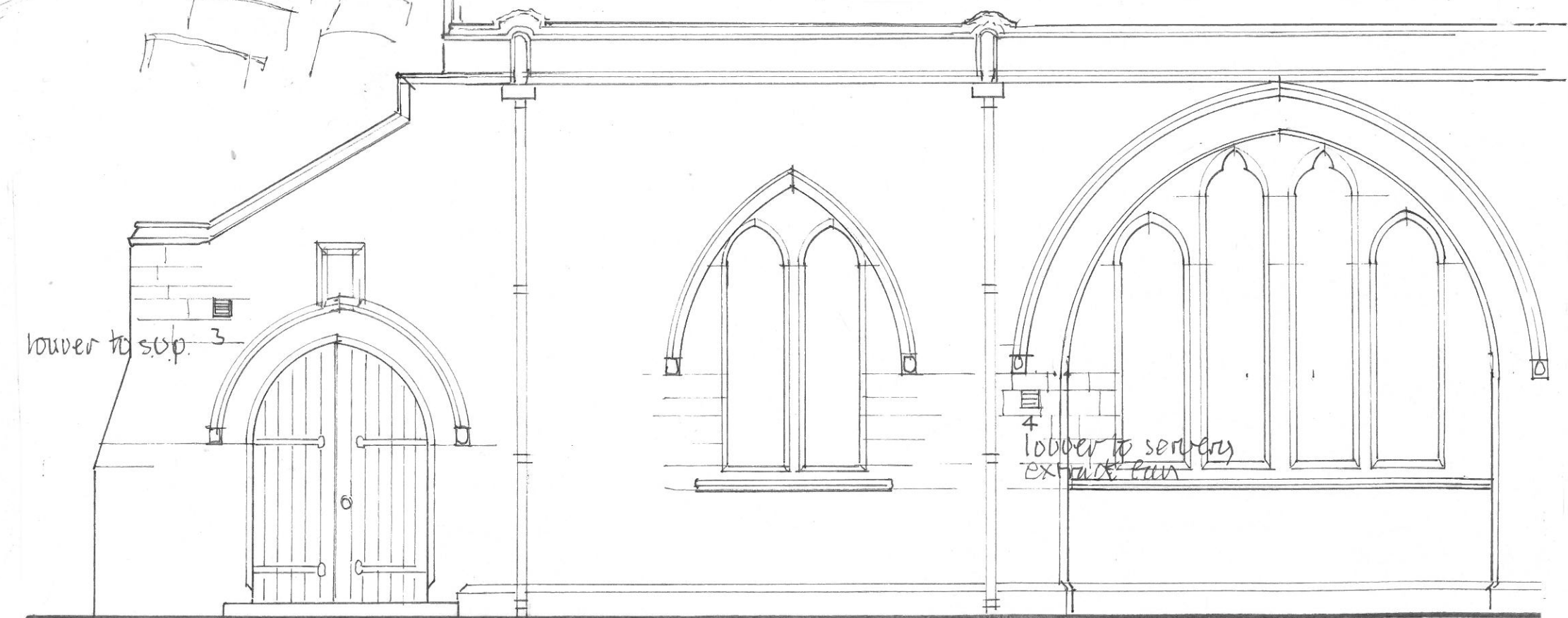


elevation & section slate LOUVERS 1:5

view internally looking south-west



west elevation, S-W porch  
 check all details & dimensions onsite



south elevation, porch & aisle 1:50 @ A3